

GENIUS

International Group

Geniusmount.com



ADDRESS : Zhucun Int'l Zone, Tianhe District, Guangzhou, GD.PV., PRC

TEL : +86 (0) 20 298 827 32

CELL : +86 132 659 381 30

SKYPE : Geniusmount@hotmail.com

EMAIL : following@geniusmount.com

WEBSITE : www.geniusmount.com / www.geniusmounts.com

ABOUT US

GENIUS
INTERNATIONAL
GROUP
BRANDS



Genius International Group is one of the most professional manufacturer of Audio Visual Products & AV peripheral integrated equipment, We offer various selections of Mounting System for Flat Panel Display TV Mounts, Ceiling Mounts & Brackets for Projectors & Speakers, Shelves for the DVD, DVB and receivers.

Genius is putting all of the energy and ideas in the pursuit of Quality & Service to all of our dearest customers, we believe that the success of the clients will build ours also. All of Genius products are well tested by those very big international associations of Industry & Commerce Bureau such as UL/GS/CE/ROHS.

To make sure we are able to working with the International Companies well, we had prepared ourselves with the latest production equipment like Punch Machines, Hitting Welding Machines, Bending Machines and we are able to offer the best products because of our automatic punching lines. At this moment, Genius Production Basement is located in Jieyang of Guangdong Province, which is very near to the Shenzhen Port & Guangzhou port. With 20,000 Square meters in a 50,000 square meters structure which would be finished at the end of year 2016.

In Genius We focus on adding the most useful, helpful, humaniaed & innovative functions into the products, doing our best to offer the best using experience to our target clients, it will be the most happy thing to help you create a fantastic atmosphere in your living room, and make your beloved home with a sense of exclusiveness, we assure that the Genius Mounting Solution will a sense of exclusiveness, we assure that the Genius Mounting Solution will be ready for every application at time you need.

Genius International Group, your best choice for the Mounting works and Best Strategic Business Partner for your target markets.



CONCENTS

GENIUS
INTERNATIONAL
GROUP
BRANDS



SHARING THE
EXCELLENT VIEW!



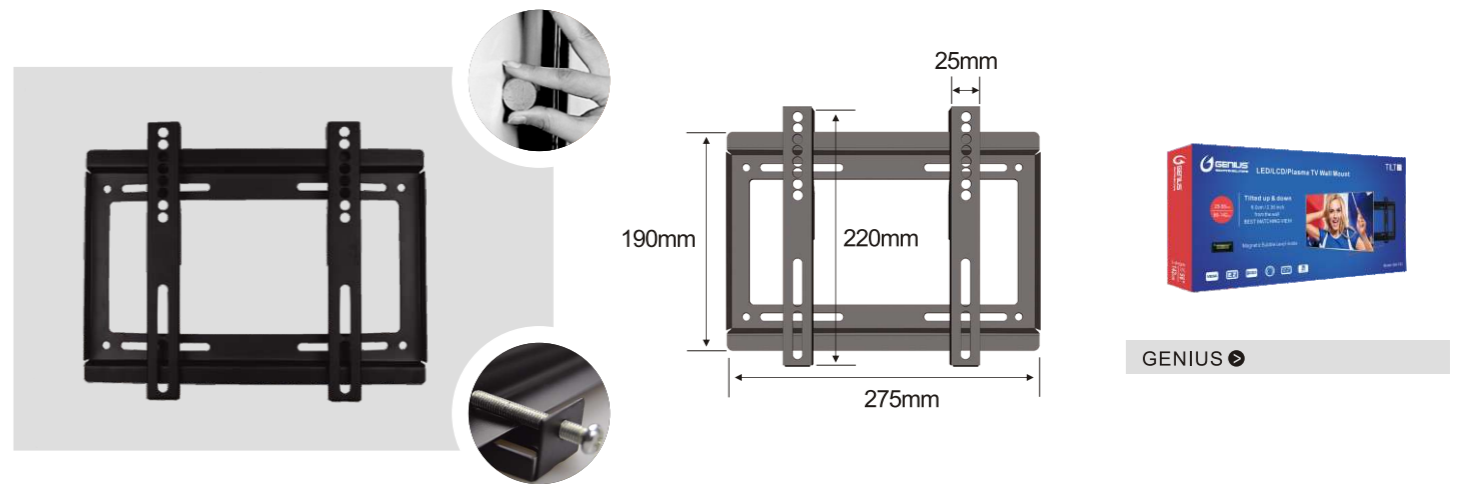
- 01 FIXED MOUNTS
- 06 TILTING MOUNTS
- 12 ARM MOUNTS
- 21 ADDITIONAL MOUNTS
- 23 ACCESSORIES



FIXED MOUNTS

Also known as a flat-or flush-mount brackets,a fixed TV mount type is a simple metal frame that secures your TV to the wall like a picture frame.

It's includes two upright posts or a plate which attach the TV. A fixed mount,this style doesn't pan,tilt,or rotate.Ideal for low-clearance areas,a low-profile mount can extend atleast 1 inch from the wall.

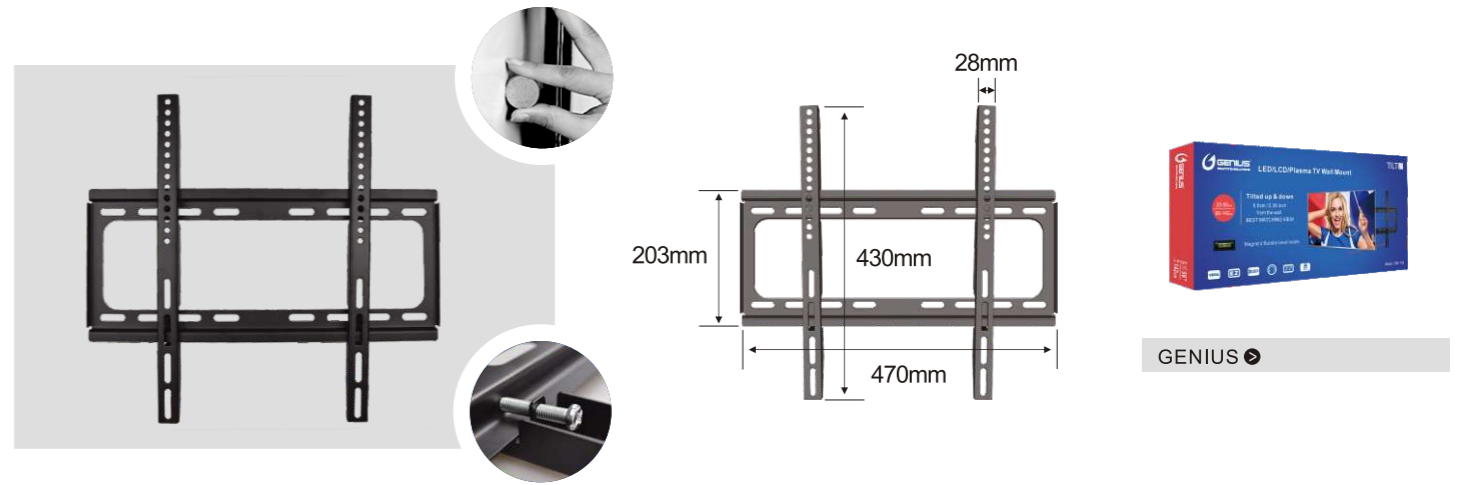


F01 FIXED MOUNTS









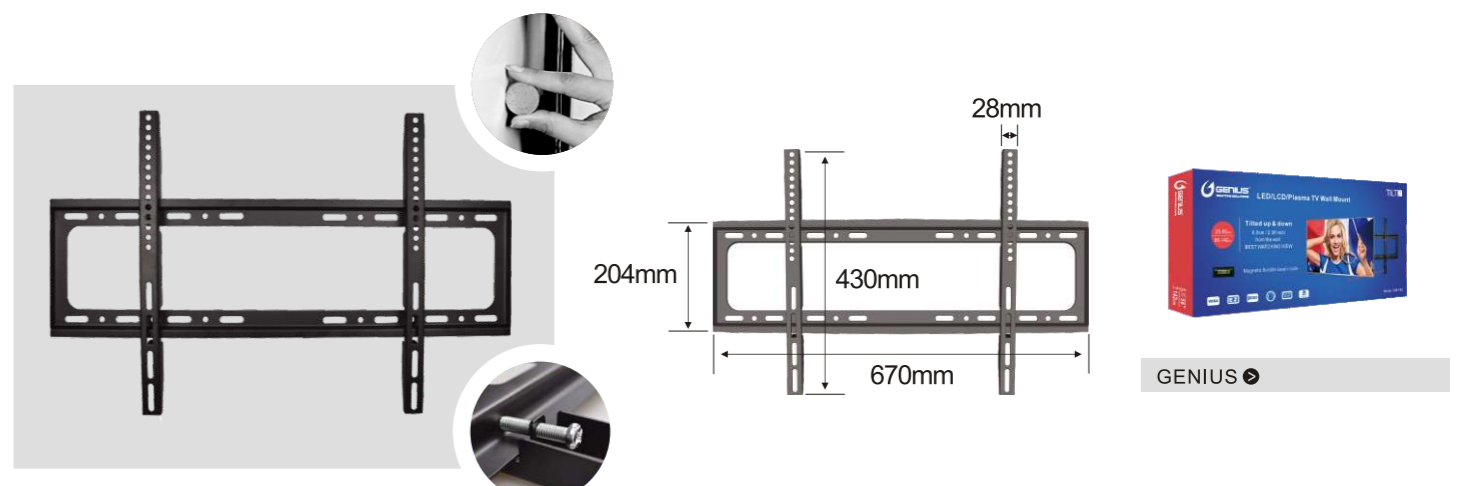

14"-42" | 25KG | 200X200 | 24mm



F02 FIXED MOUNTS

26"-55" | 50KG | 400X400 | 24mm

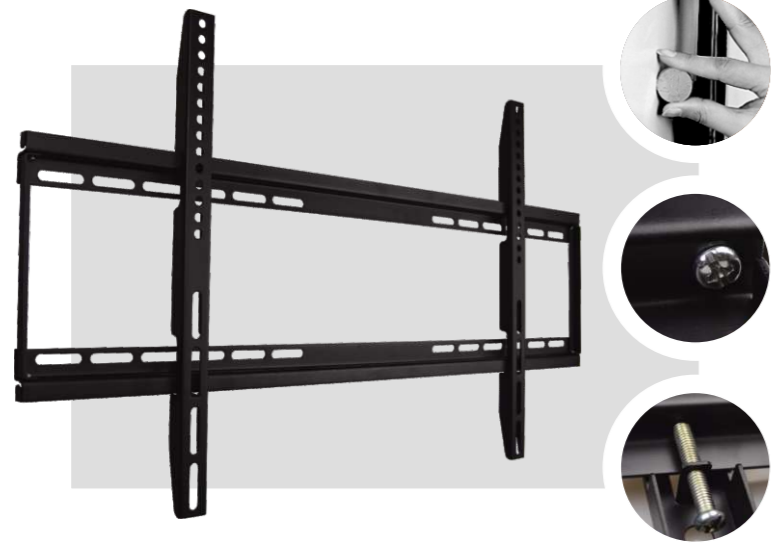


F03 FIXED MOUNTS

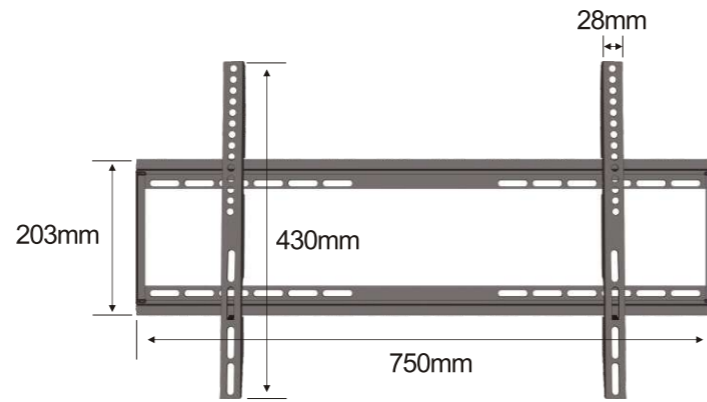





32"-65" | 50KG | 600X400 | 24mm



GENIUS

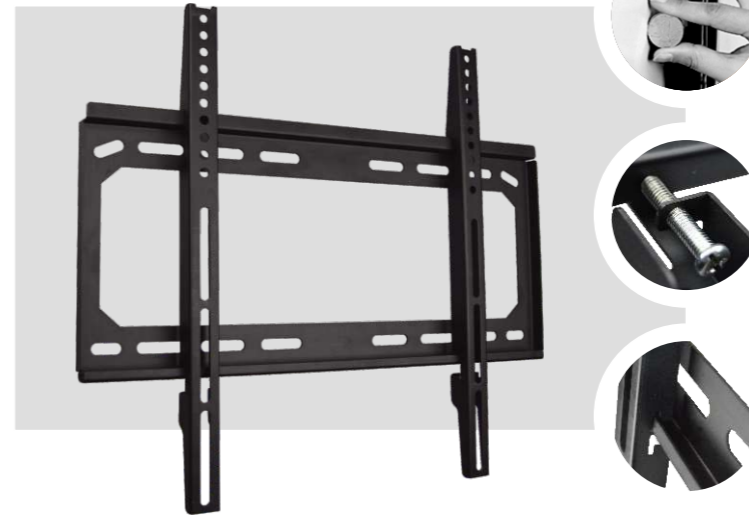


F04 FIXED MOUNTS

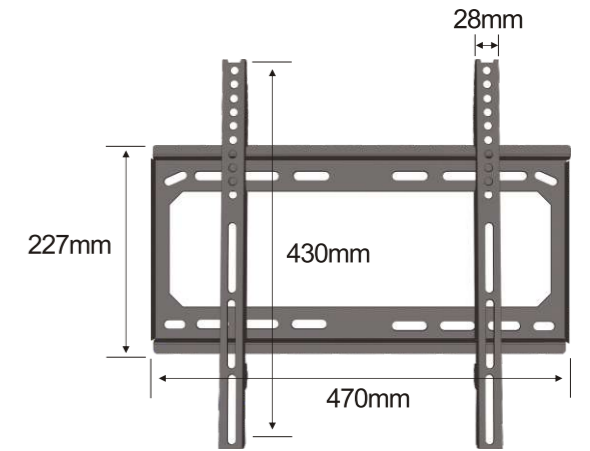


40"-72" | 50KG | 700X400 | 24mm

SAFERE DOUBLE HOOKS



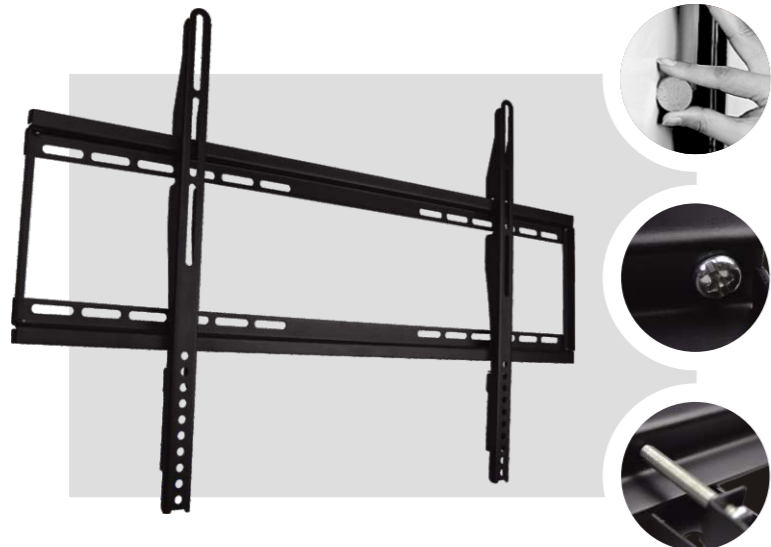
GENIUS



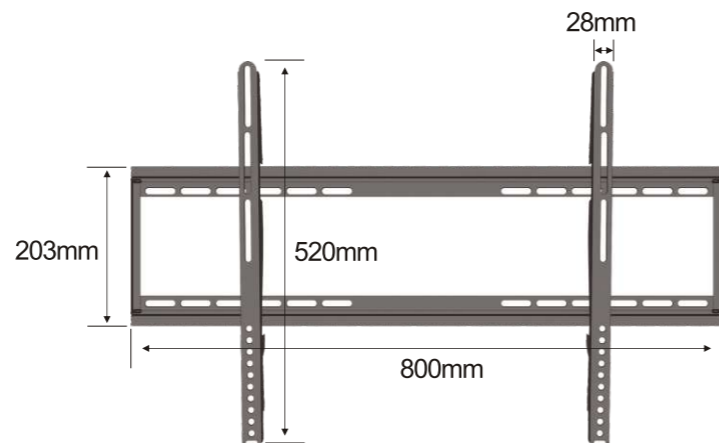
FD02 FIXED MOUNTS



26"-56" | 50KG | 400X400 | 470mm



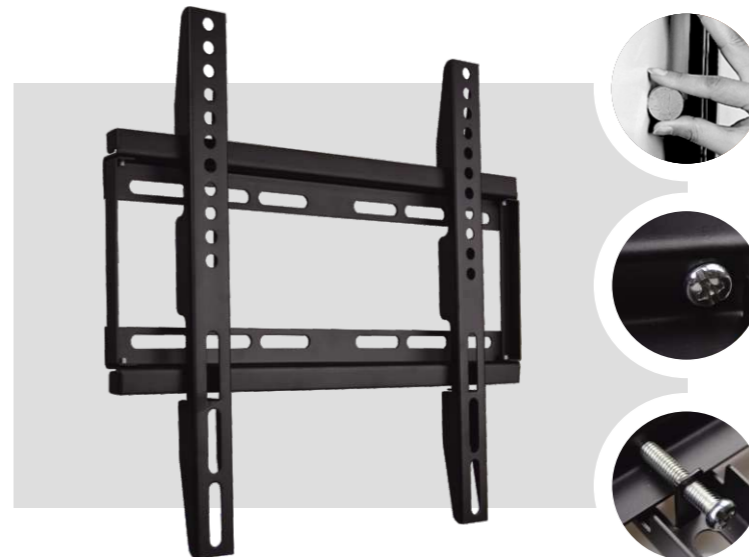
GENIUS



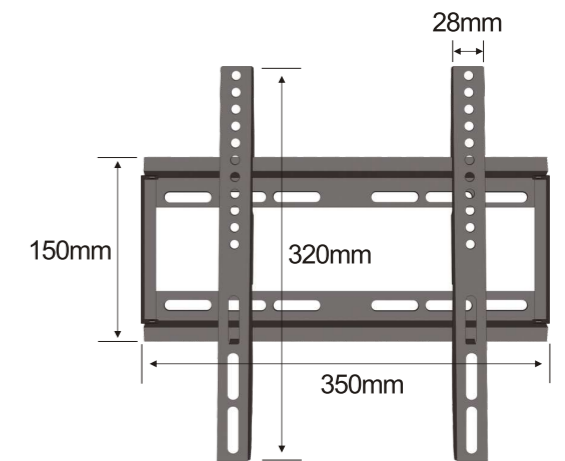
F05 FIXED MOUNTS



40"-75" | 55KG | 800X500 | 24mm



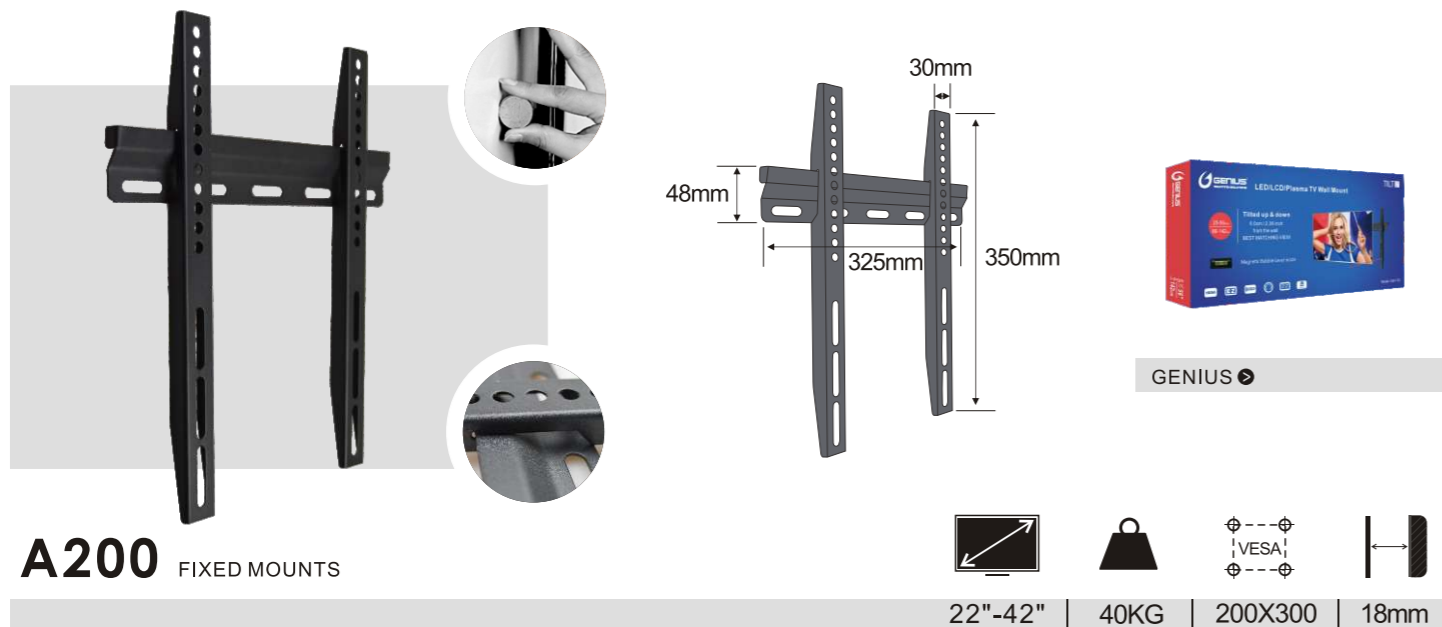
GENIUS



A300 FIXED MOUNTS



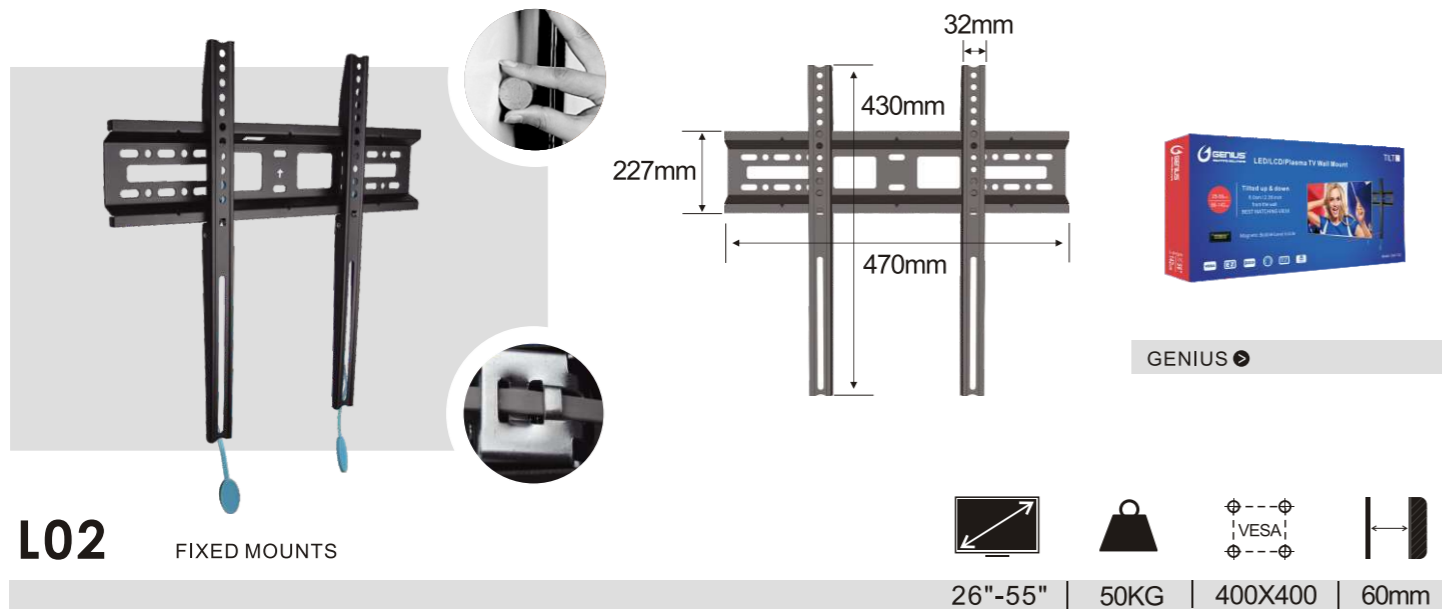
14"-47" | 35KG | 300X300 | 24mm



A200 FIXED MOUNTS

22"-42" | 40KG | 200X300 | 18mm

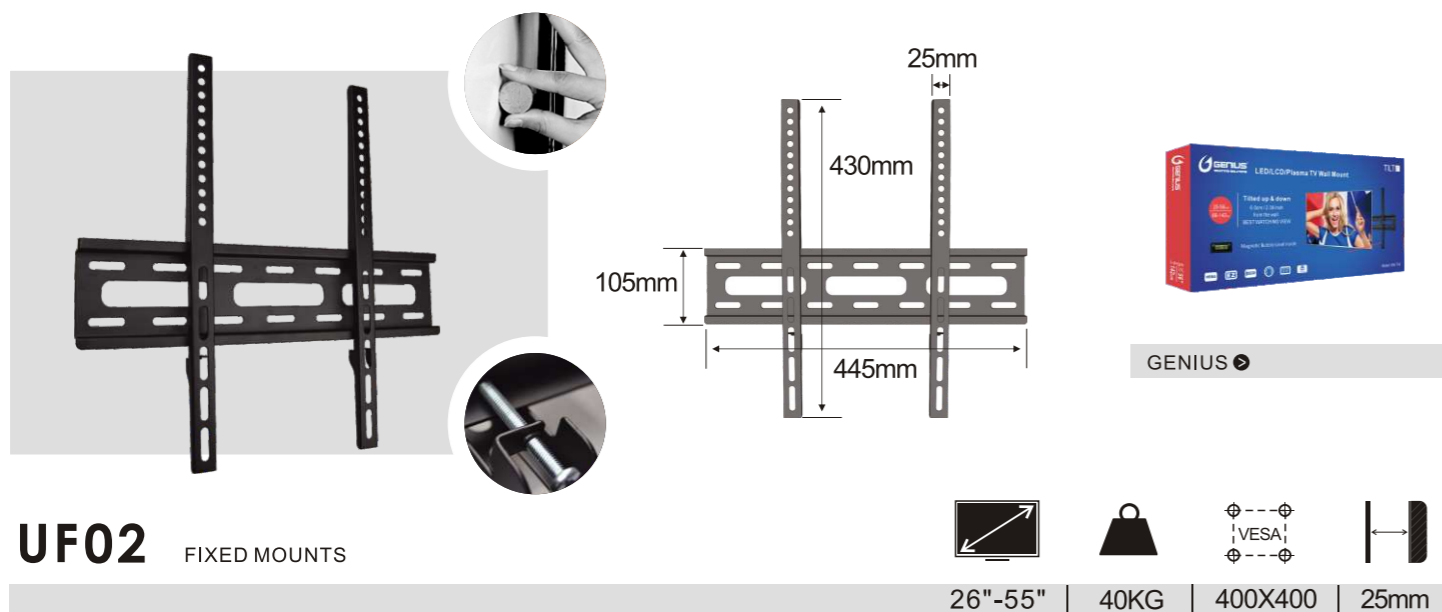
GENIUS



L02 FIXED MOUNTS

26"-55" | 50KG | 400X400 | 60mm

GENIUS



UF02 FIXED MOUNTS

26"-55" | 40KG | 400X400 | 25mm

GENIUS

TILT MOUNTS

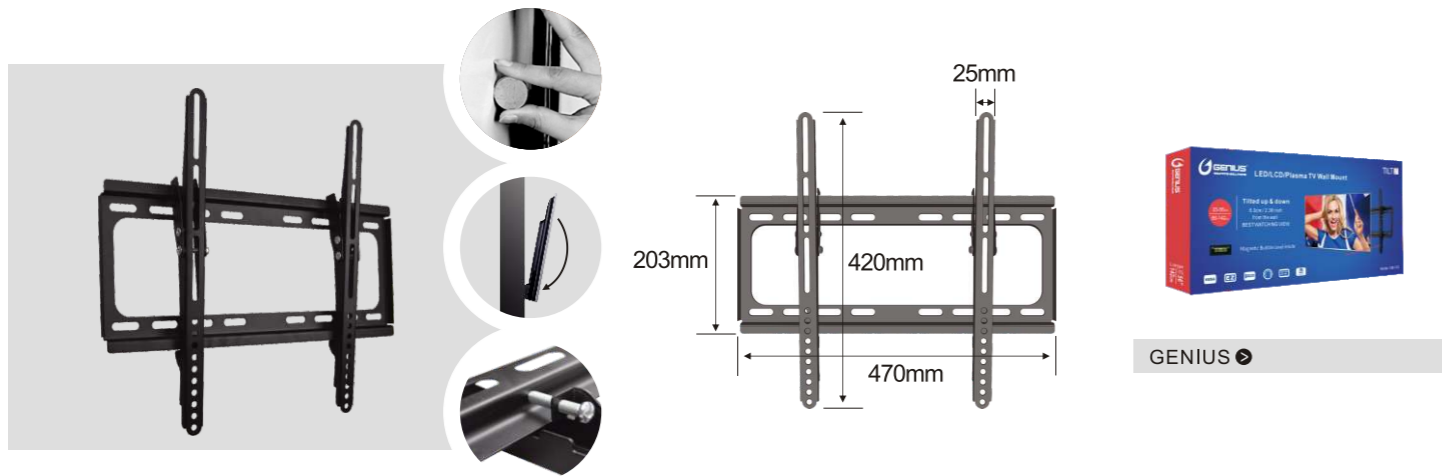
To accommodate the tilting mechanism, the tilt TV wall mount should extend at least 2 to 4 inches from the wall.

This type of wall mount prevents glares.

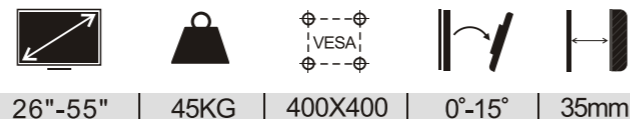
The included brackets allow you to move the screen 5 to 15 degrees up or down. Once you've chosen a desired angle, you can lock it into place with the locking mechanism.

Ideally, you would want to use this wall mount if you were hanging the TV higher than the seating area's eye level, like above a fireplace, for a more comfortable experience.

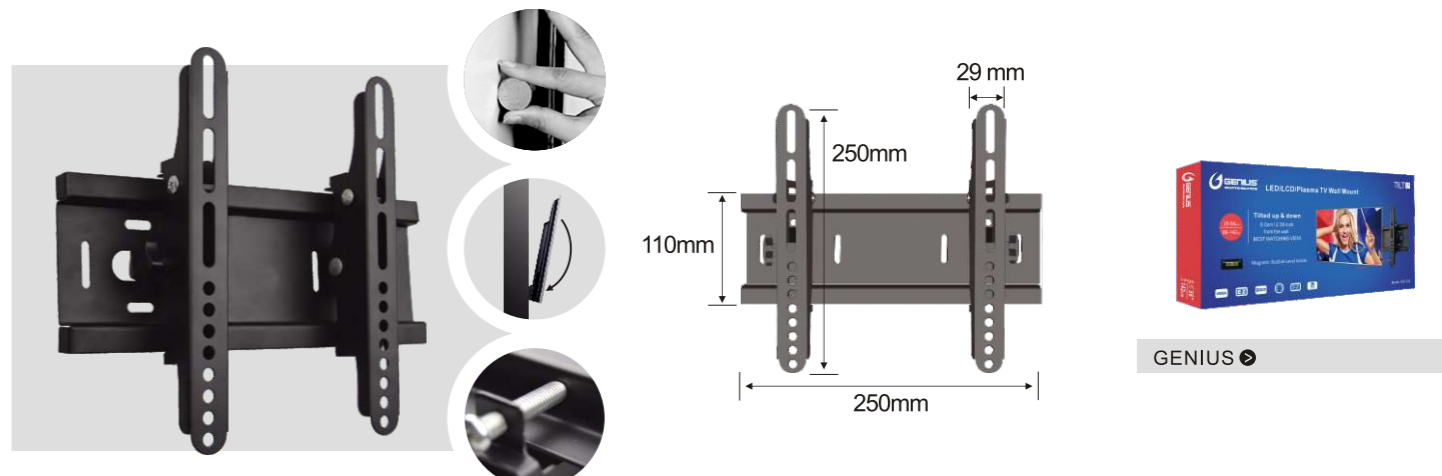




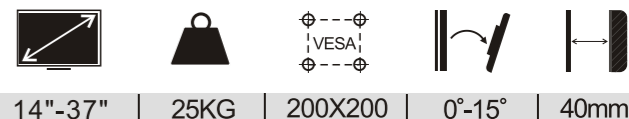
FT02 TILT MOUNTS



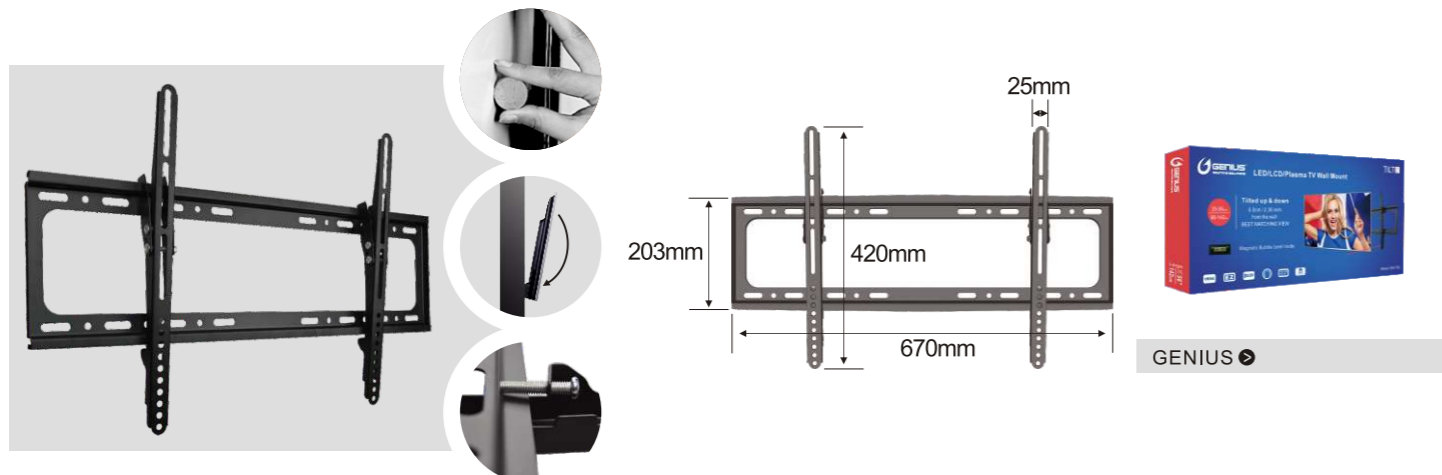
26"-55" | 45KG | 400X400 | 0°-15° | 35mm



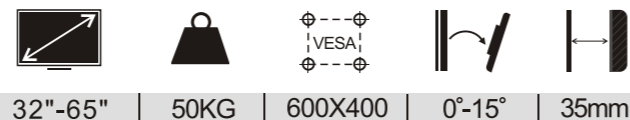
ST01 TILT MOUNTS



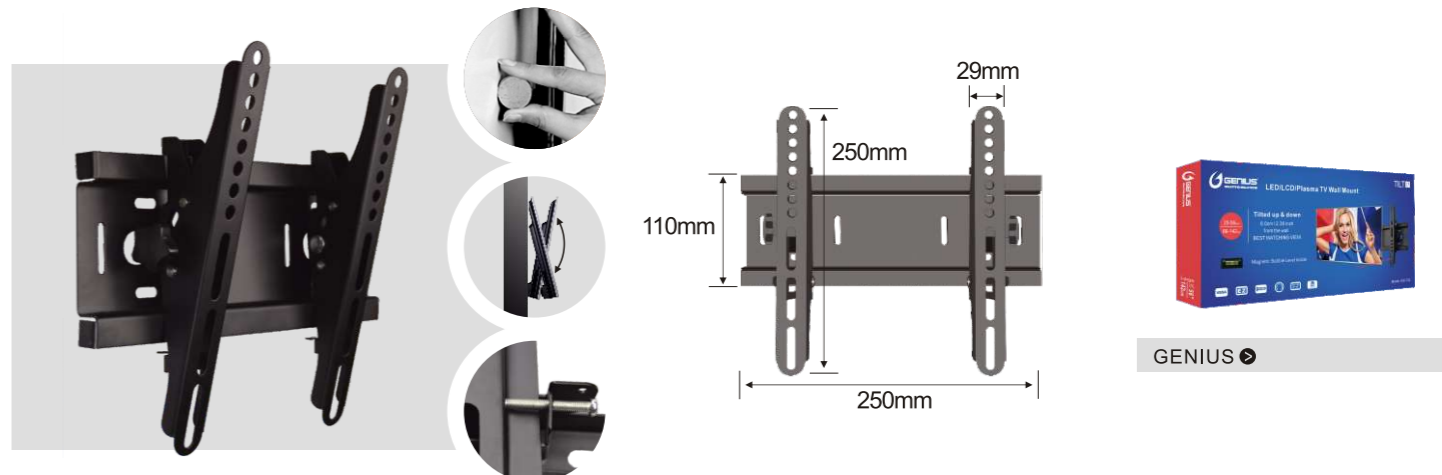
14"-37" | 25KG | 200X200 | 0°-15° | 40mm



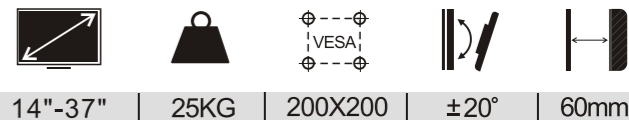
FT03 TILT MOUNTS



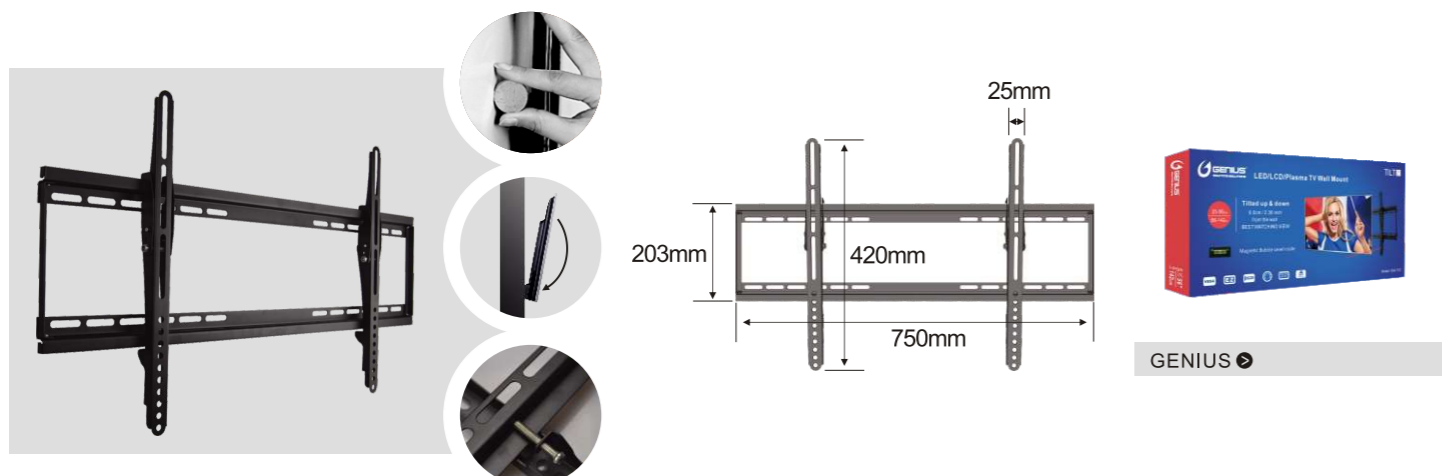
32"-65" | 50KG | 600X400 | 0°-15° | 35mm



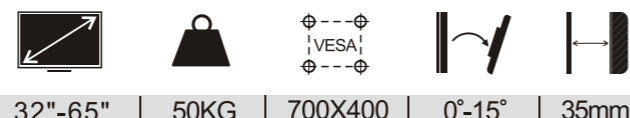
T01 TILT MOUNTS



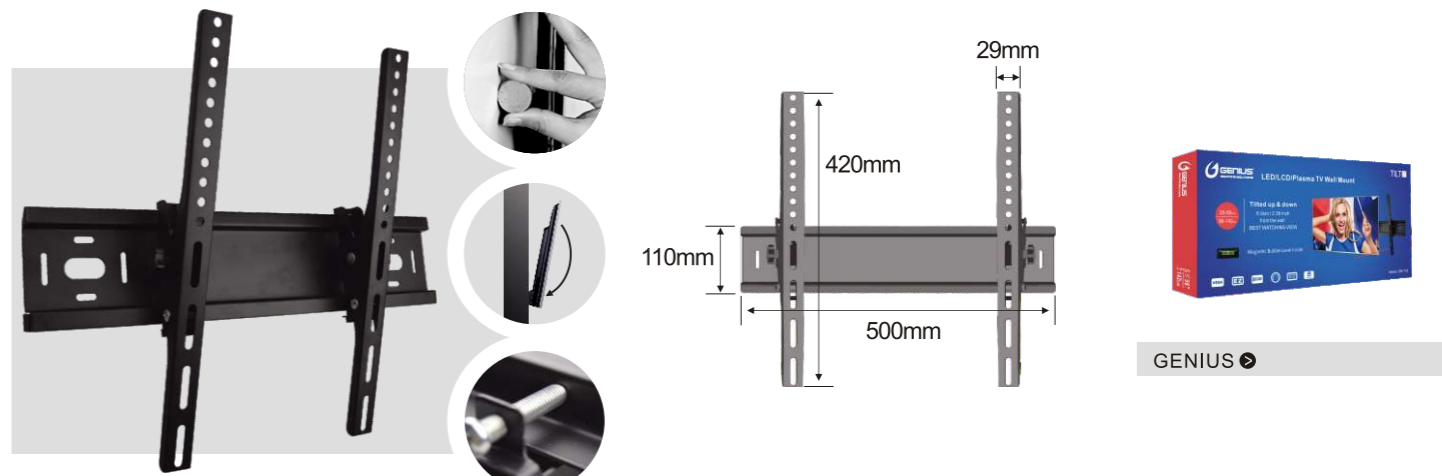
14"-37" | 25KG | 200X200 | ±20° | 60mm



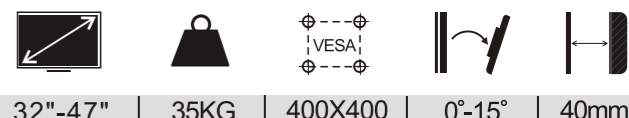
FT04 TILT MOUNTS



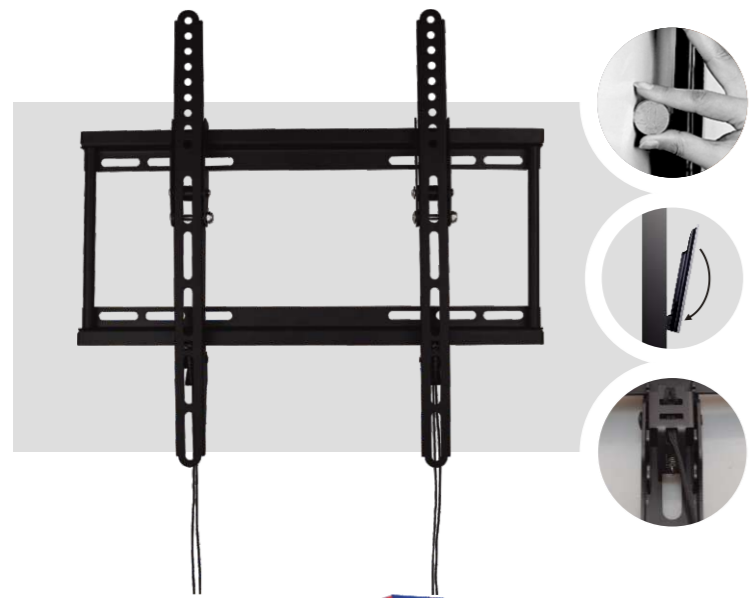
32"-65" | 50KG | 700X400 | 0°-15° | 35mm



ST02 TILT MOUNTS

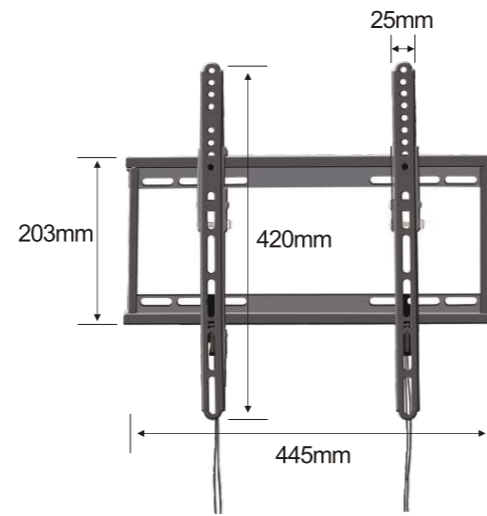


32"-47" | 35KG | 400X400 | 0°-15° | 40mm

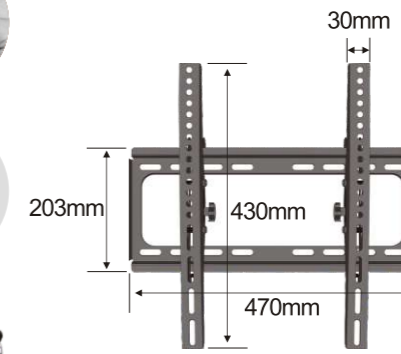


FTSL02 TILT MOUNTS

GENIUS



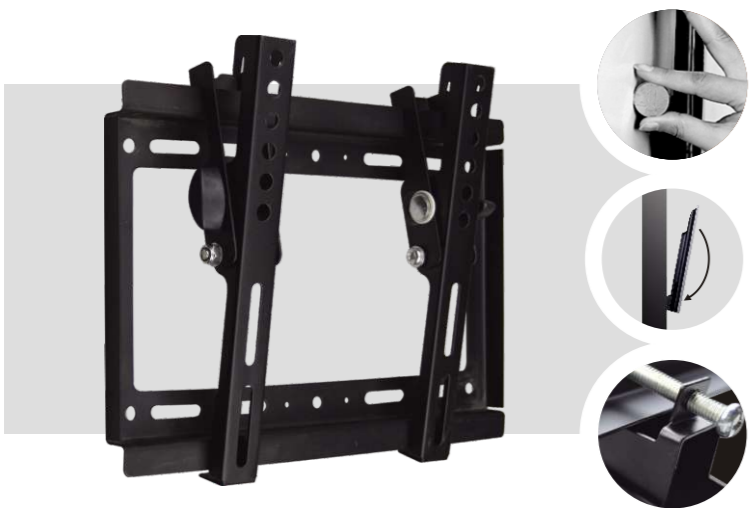
26"-55" | 45KG | 400X400 | 0°-15° | 40mm



GENIUS

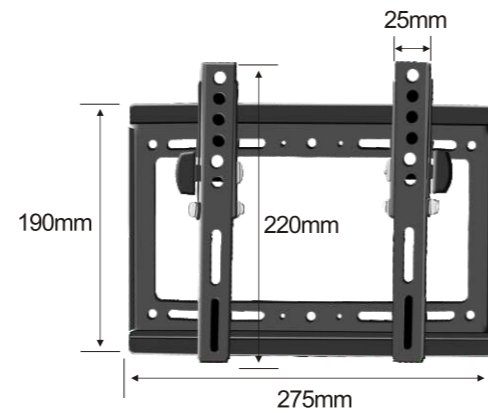
T02 TILT MOUNTS

26"-60" | 50KG | 400X400 | ±10°-15° | 65mm

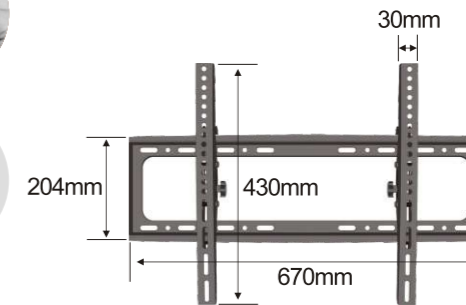


FT01 TILT MOUNTS

GENIUS



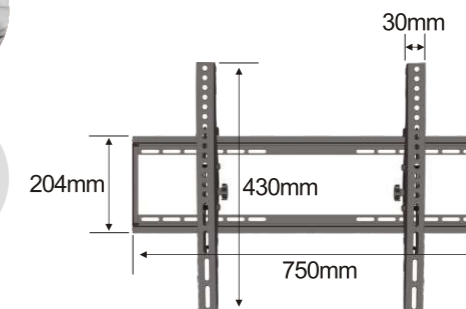
14"-42" | 25KG | 200X200 | 0°-15° | 28mm



GENIUS

T03 TILT MOUNTS

32"-65" | 50KG | 600X400 | ±10°-15° | 65mm



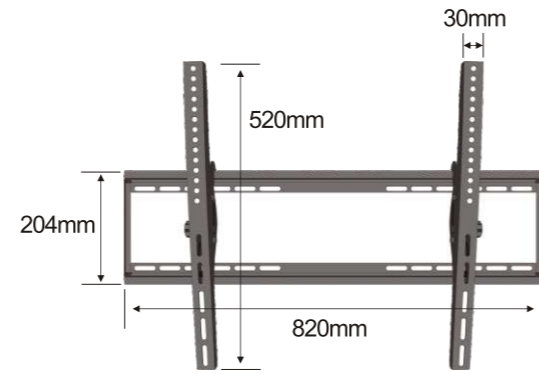
GENIUS

T04 TILT MOUNTS

40"-72" | 55KG | 700X400 | ±10°-15° | 65mm



GENIUS

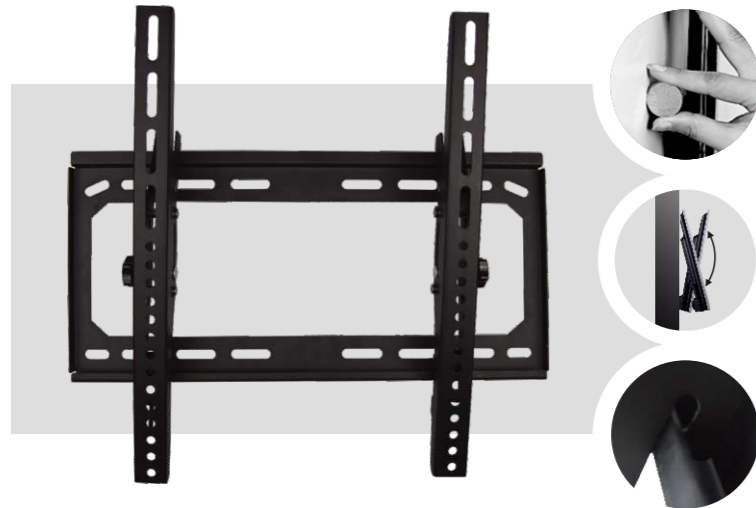


T05 TILT MOUNTS

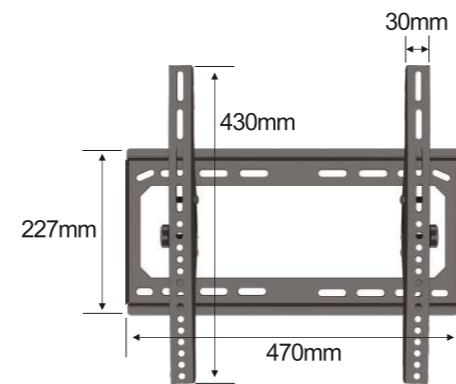


40"-80" | 55KG | 800X500 | ±10°-15° | 65mm

SAFERE DOUBLE HOOKS



GENIUS



TD02 TILT MOUNTS



26"-55" | 55KG | 400X400 | ±10°-15° | 60mm

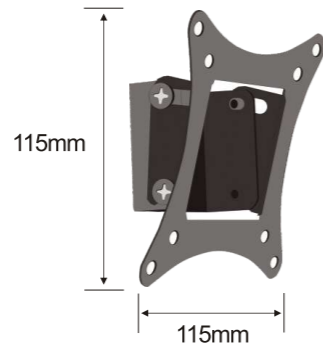
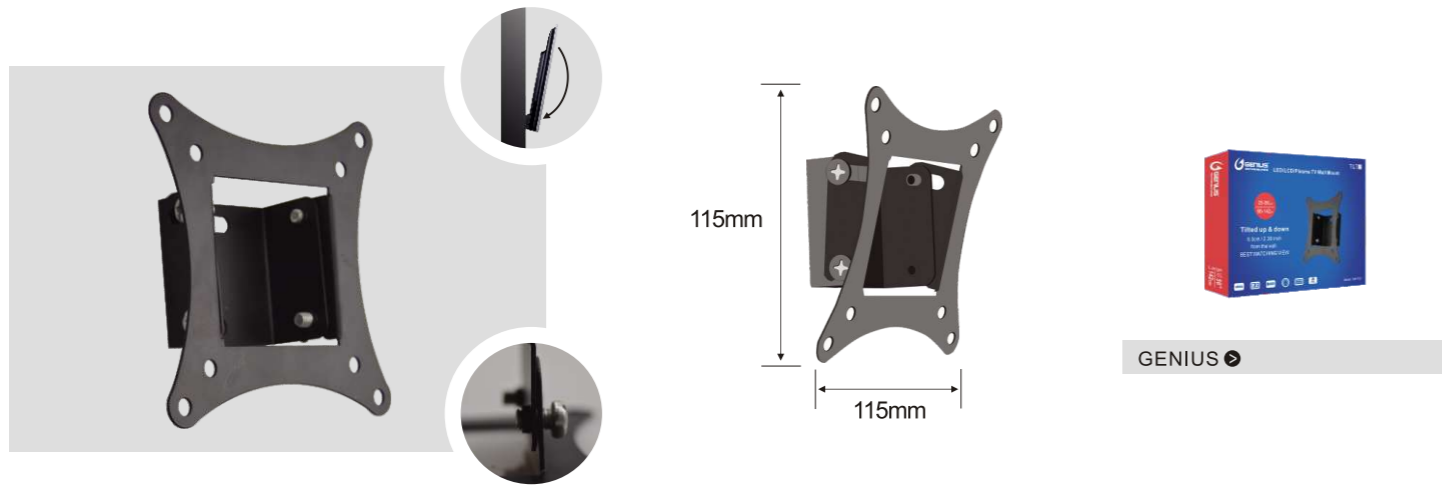


ARM MOUNTS

Offering the most flexibility, a arm wall mount can pan the TV from side, as well as tilt it up or down. In some cases, a swivel wall mount comes with a support arm that includes one or more joints.

There are many types of bracket styles, including: articulating arm, full motion, and cantilever.

Although the above options have slight differences, they essentially perform the same way. For example, unlike a classic swivel TV mount, an articulating swivel TV mount can turn the screen 180 degrees horizontally.

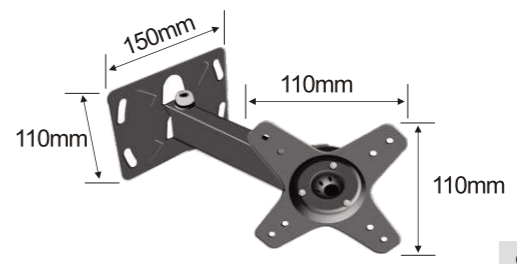
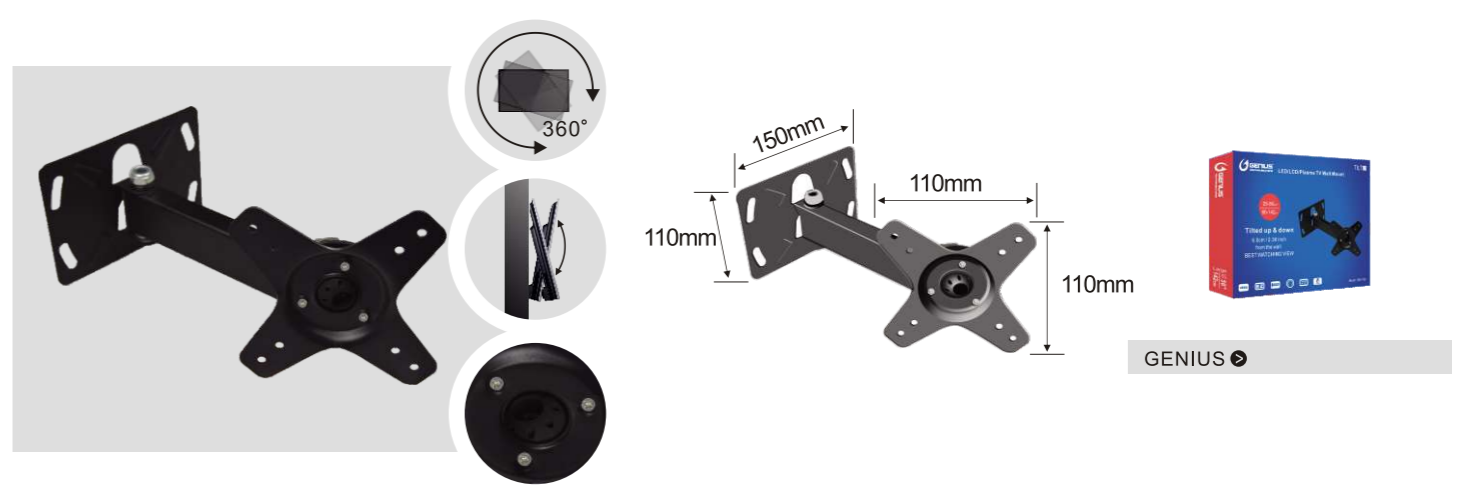


GENIUS

LT01 ARM MOUNTS



17"-27" | 15KG | 100X100 | 0°-15° | 35mm

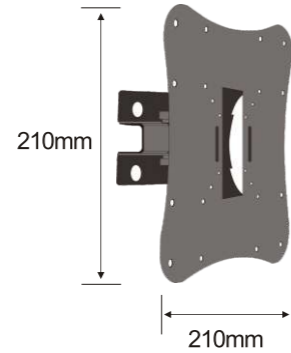
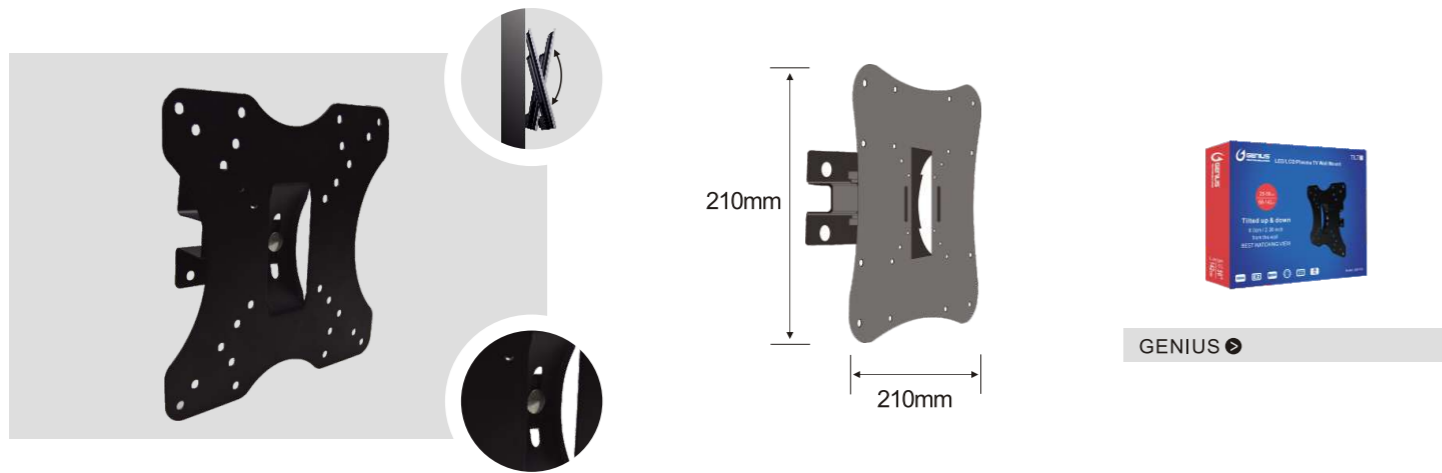


GENIUS

LT25 ARM MOUNTS



17"-27" | 15KG | 100X100 | ±25° | 60 - 170mm

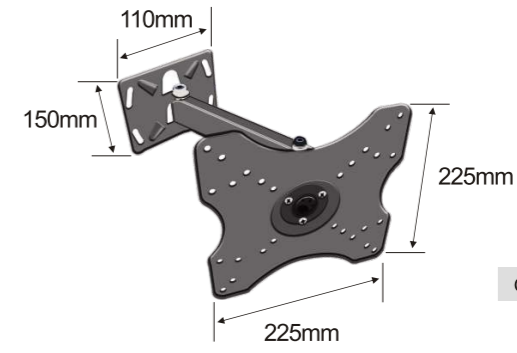
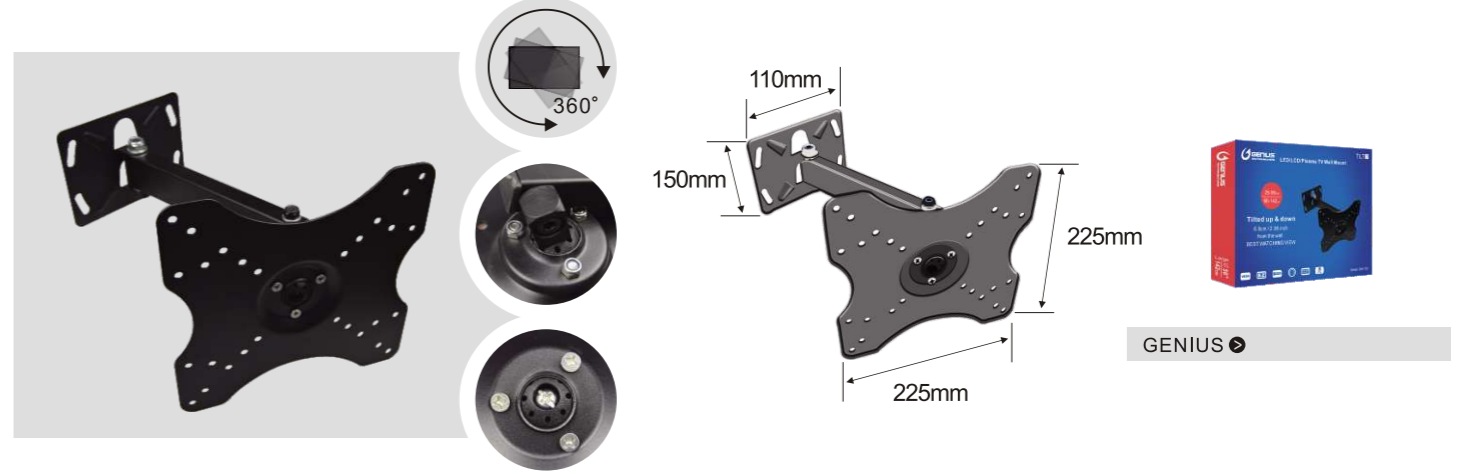


GENIUS

LT02 ARM MOUNTS



14"-37" | 20KG | 200X200 | ±25° | 35mm

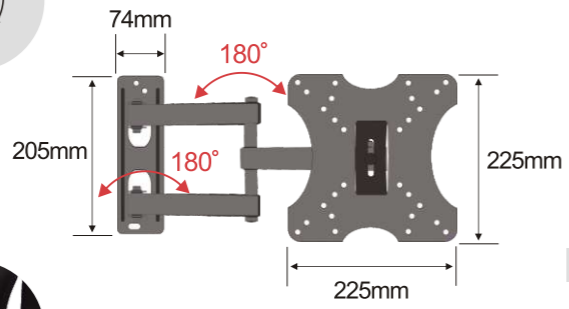
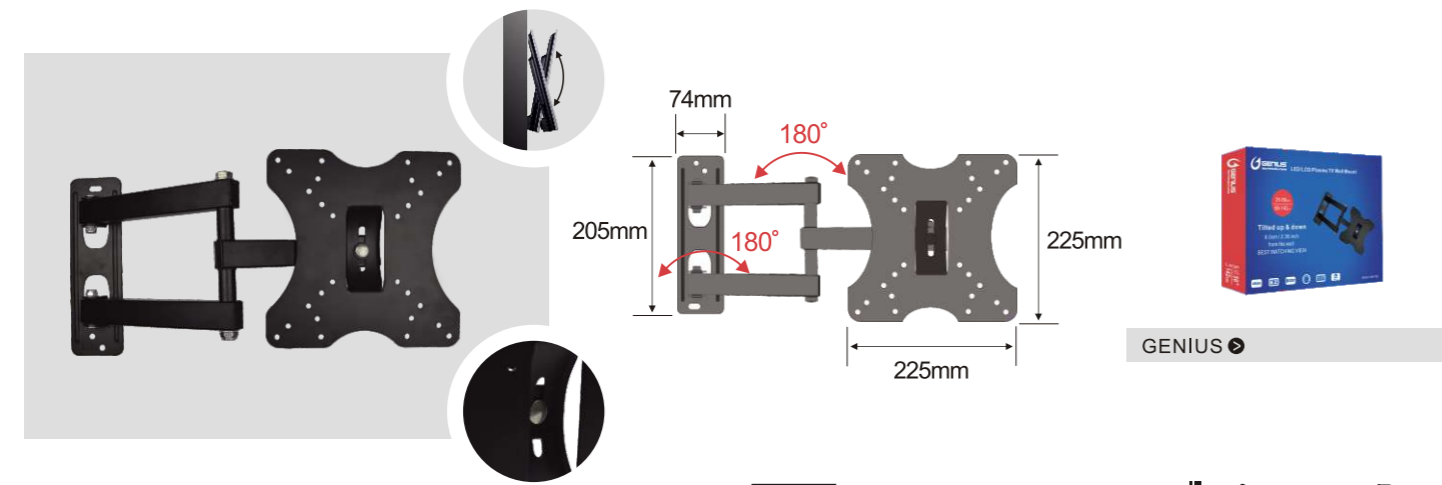


GENIUS

LT03 ARM MOUNTS



14"-42" | 20KG | 200X200 | ±25° | 60 - 265mm

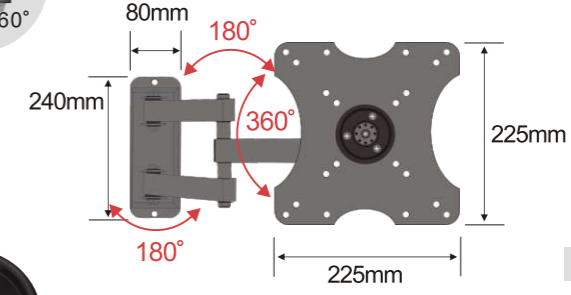
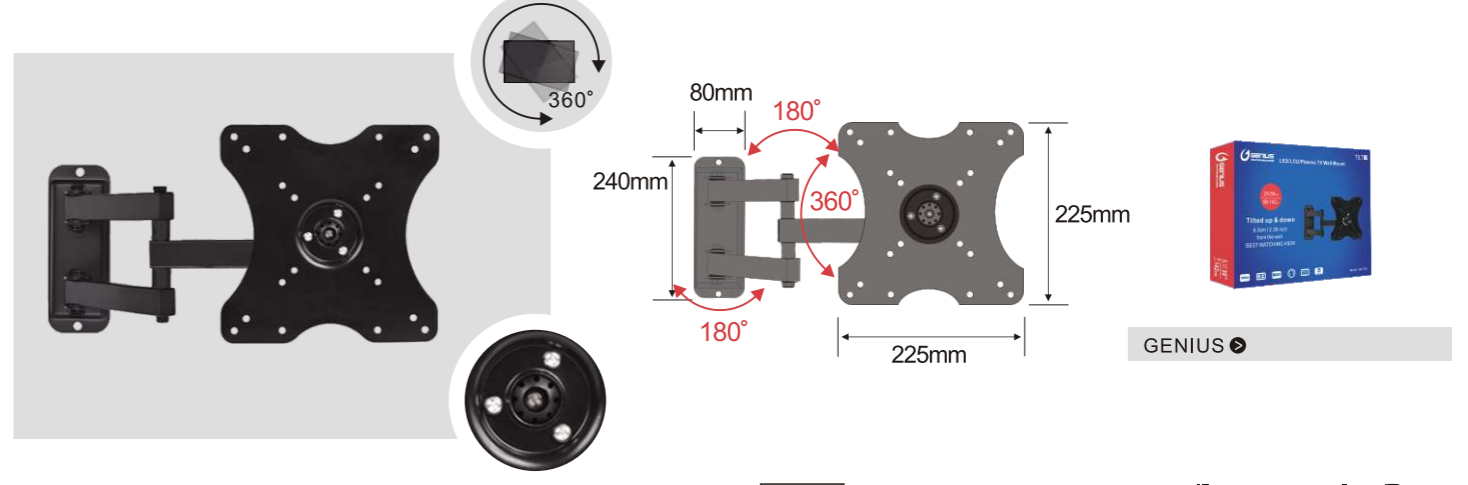


GENIUS

FMW02 ARM MOUNTS



14"-42"/52" | 25KG | 200X200 | ±25° | 65 - 365mm

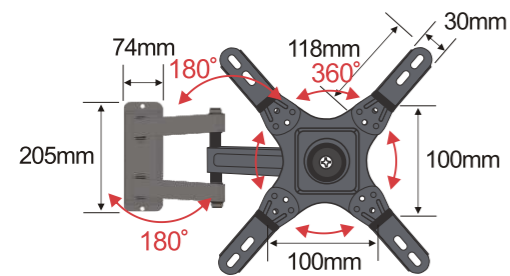


GENIUS

FM02 ARM MOUNTS



14"-42"/56" | 30KG | 200X200 | ±25° | 65 - 365mm

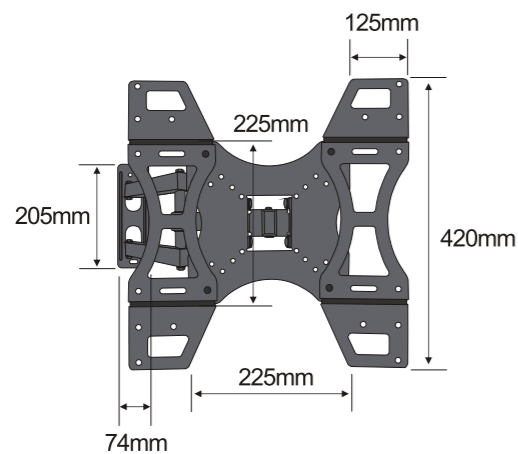
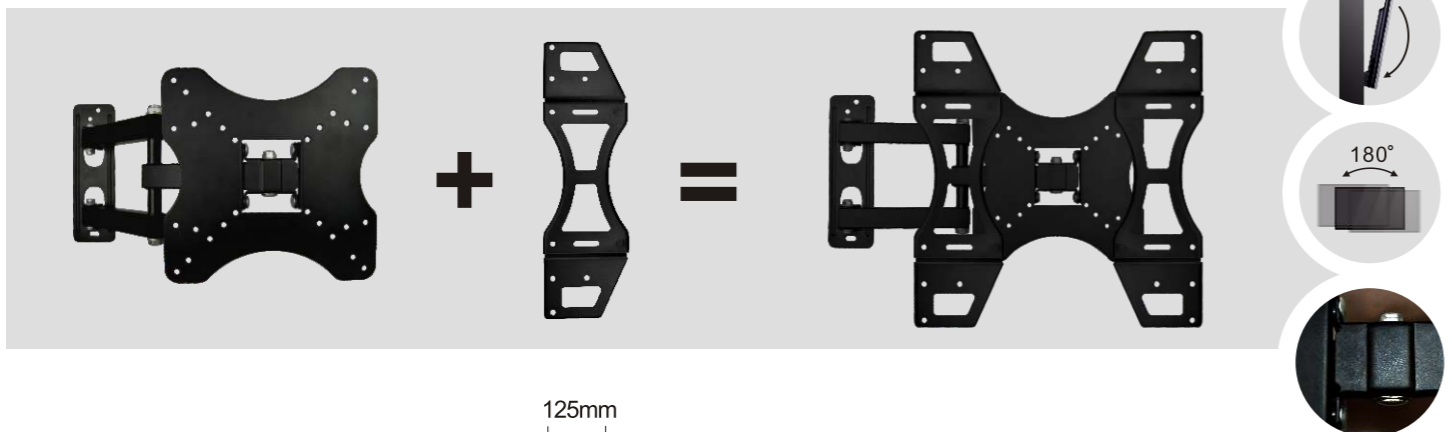


GENIUS INTERNATIONAL GROUP BRANDS



FMS01 ARM MOUNTS

12"-27" | 10KG | 100X100 | ±25° | 70-370mm

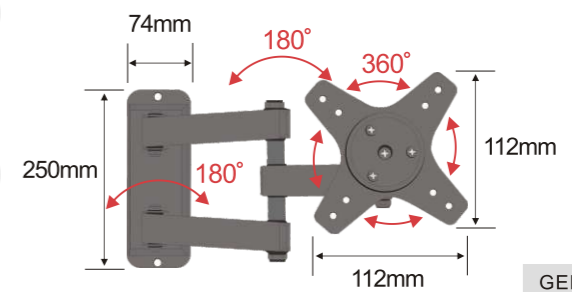
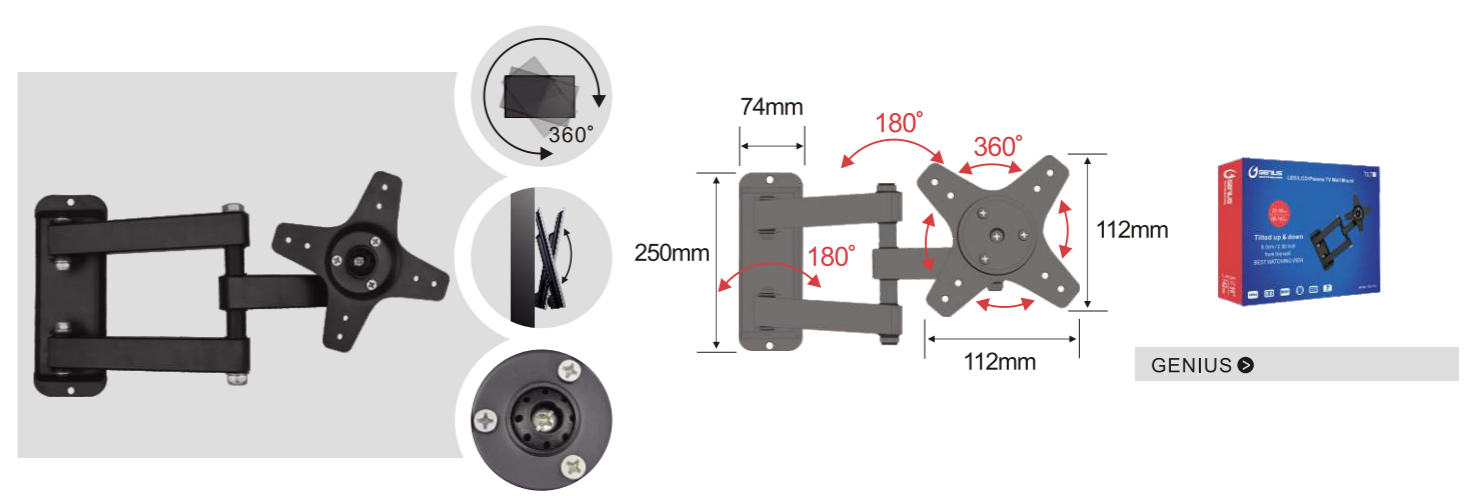


GENIUS INTERNATIONAL GROUP BRANDS



FMLS02 ARM MOUNTS

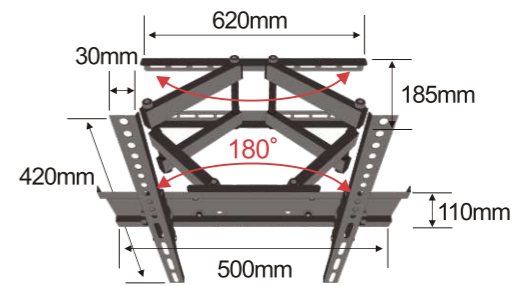
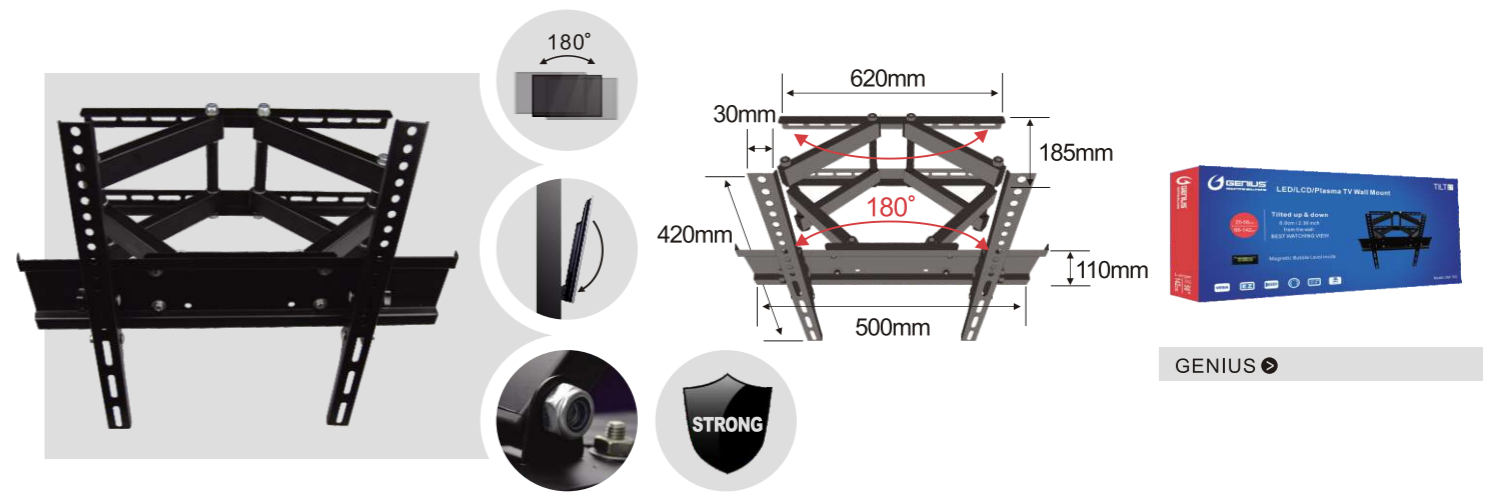
14"-42"/52" | 25KG | 200X200 | 0°-15° | 70-370mm



GENIUS

FM01 ARM MOUNTS

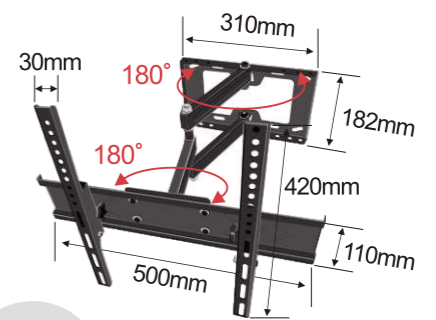
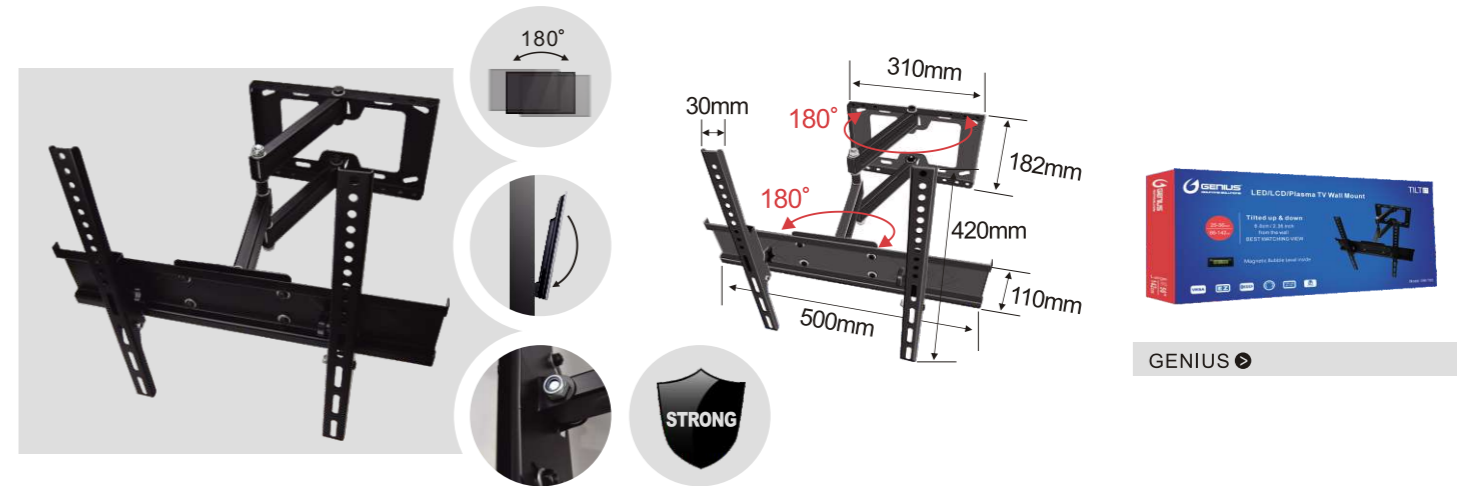
12"-27" | 15KG | 100X100 | ±25° | 65-365mm



GENIUS

FM03 ARM MOUNTS

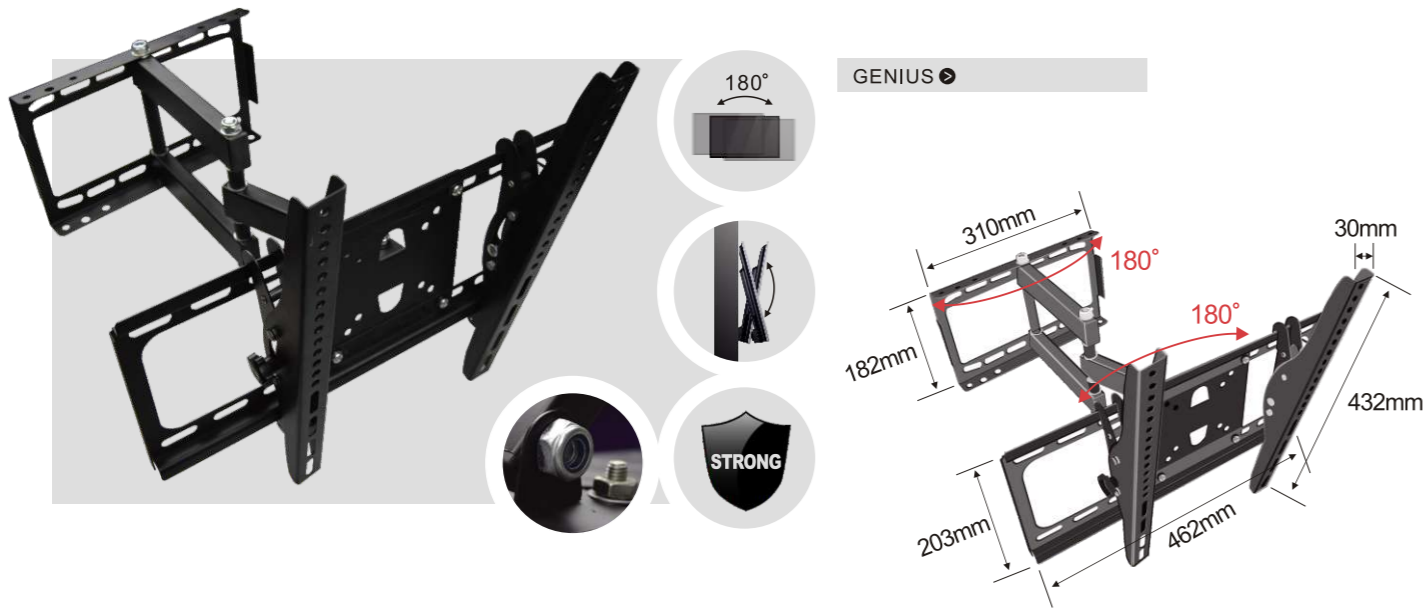
26"-50" | 55KG | 400X400 | 0°-15° | 100-480mm



GENIUS


FM25 ARM MOUNTS

26"-50" | 40KG | 400X400 | 0°-15° | 100-480mm



FM28 ARM MOUNTS

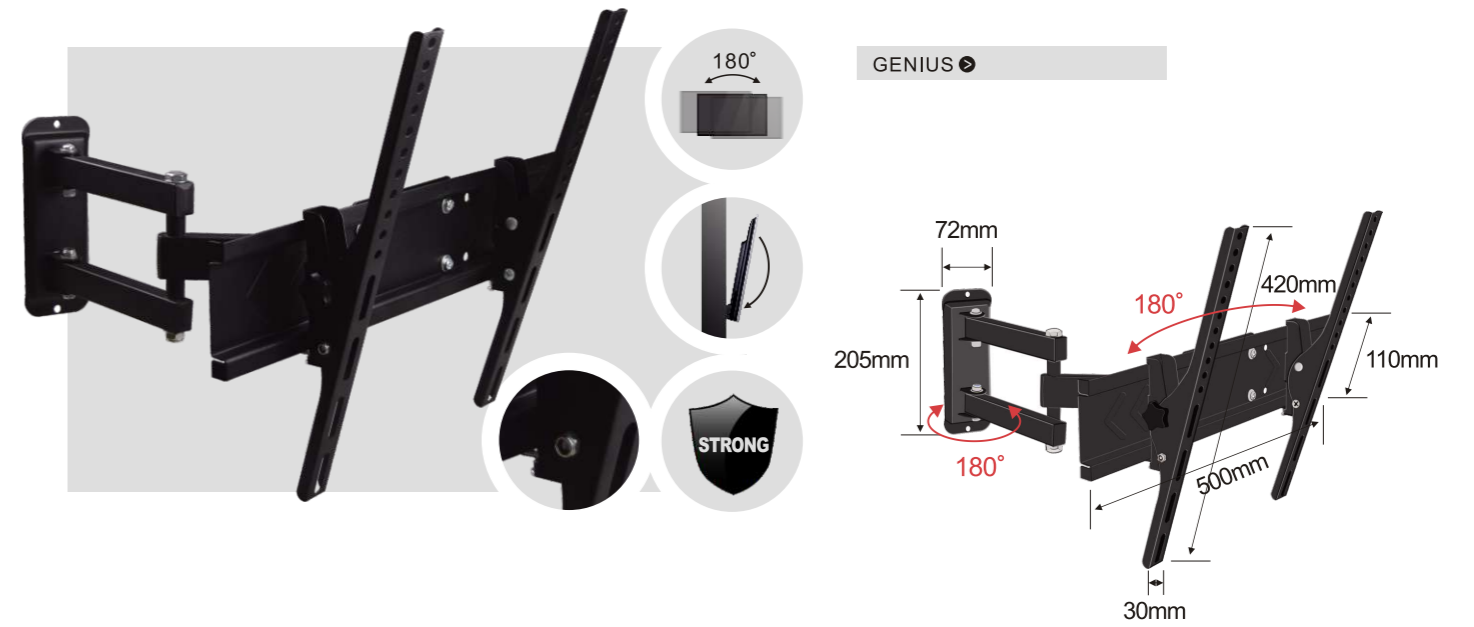













26"-56" | 52KG | 400X400 | ±15° | 120-475mm

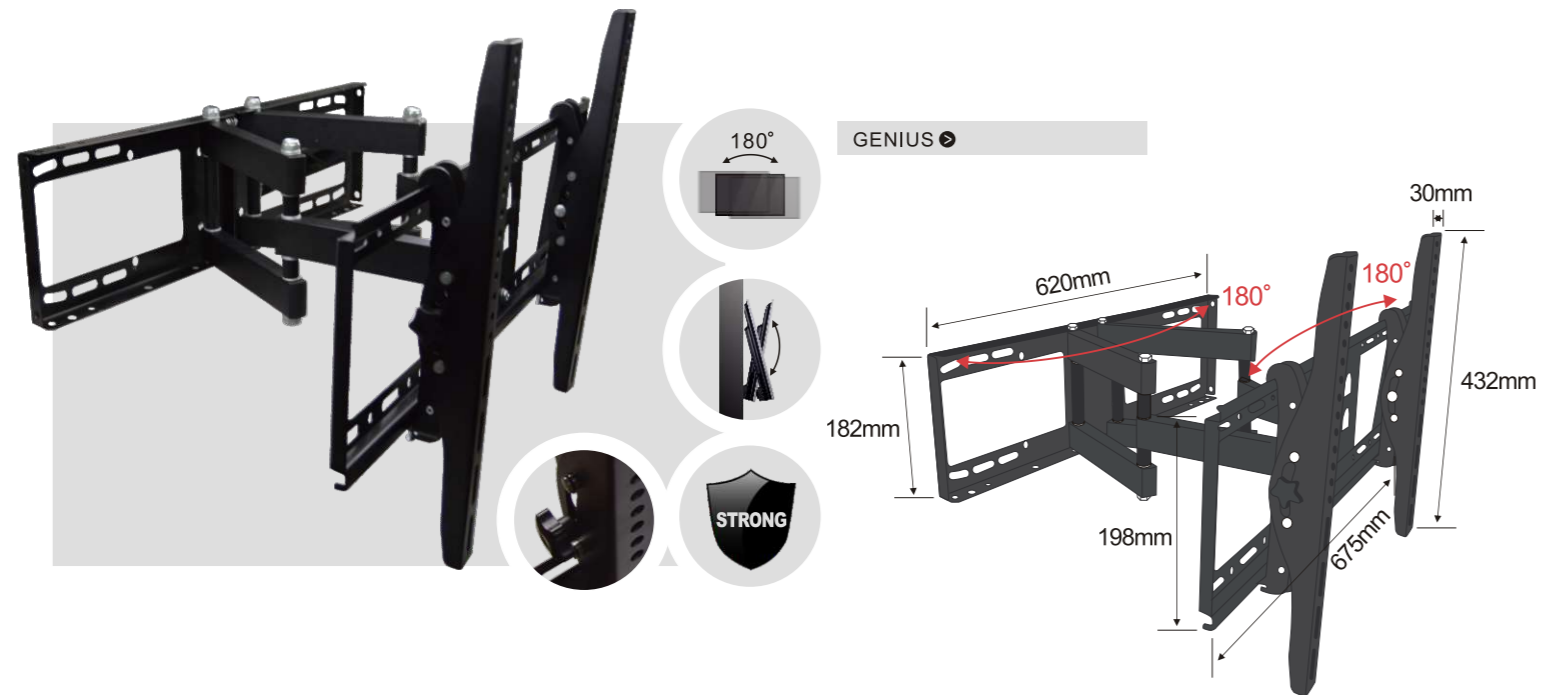


FMW25 ARM MOUNTS














26-50" | 40KG | 400X400 | 0°-15° | 90-460mm

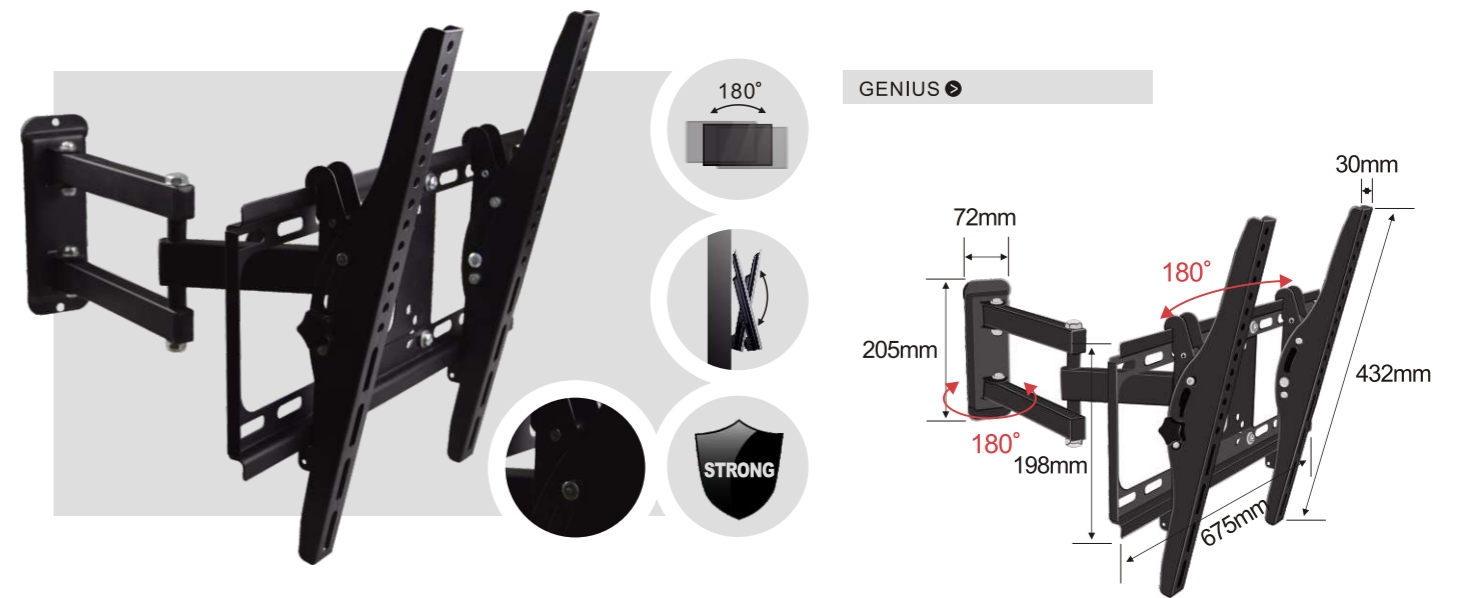


FM38 ARM MOUNTS





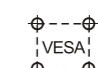








32"-70" | 55KG | 600X400 | ±15° | 120-475mm

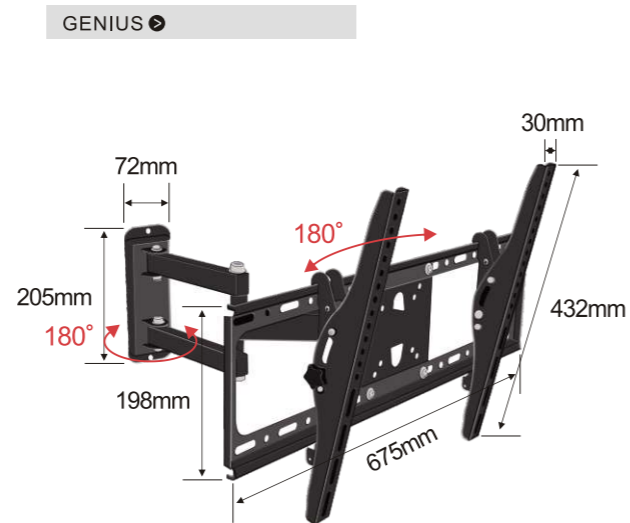


FMW28 ARM MOUNTS

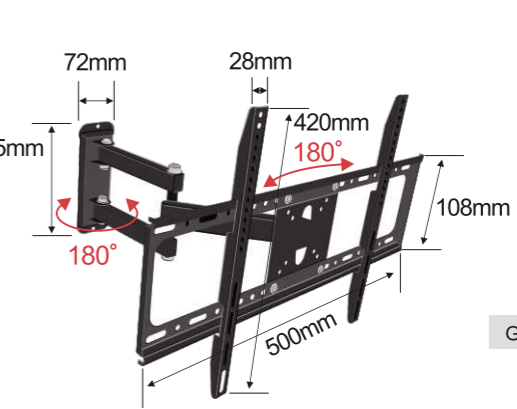
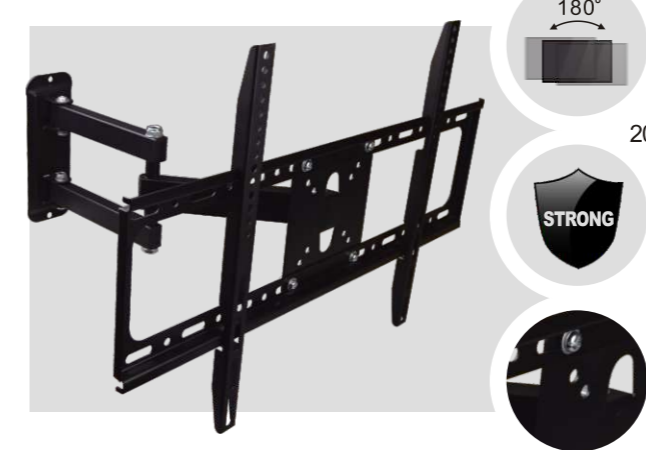


32-60" | 48KG | 600X400 | ±15° | 105-475mm



GENIUS



GENIUS

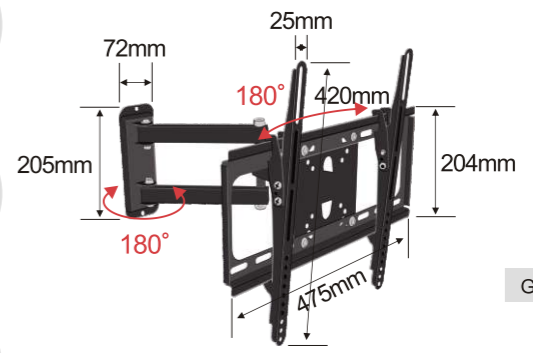
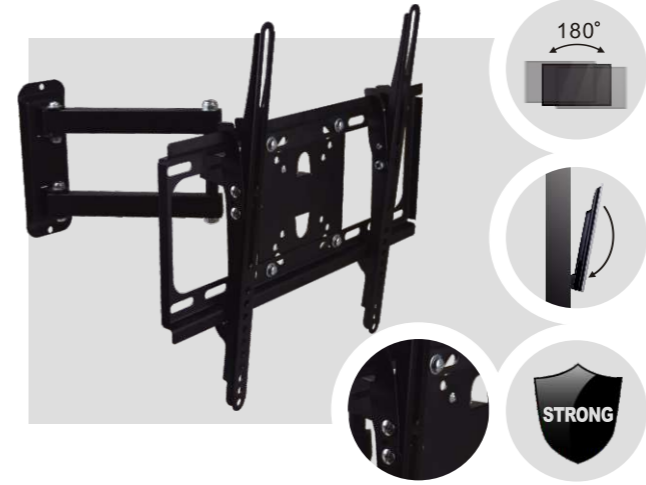
FMWF03 ARM MOUNTS

17"-47" | 35KG | 400X400 | 64 - 434mm

FMW38 ARM MOUNTS



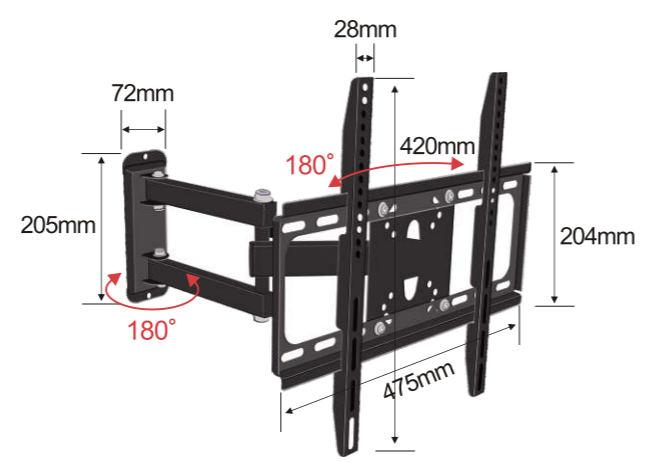
32"-60" | 48KG | 600X400 | ±15° | 105 - 475mm



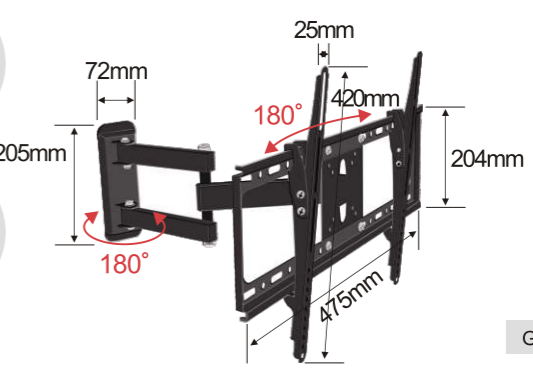
GENIUS

FMWFT02 ARM MOUNTS

26"-50" | 45KG | 400X400 | 0°-15° | 75 - 445mm



GENIUS



GENIUS

FMWFT03 ARM MOUNTS

26"-56" | 35KG | 400X400 | 0°-15° | 75 - 445mm

FMWF02 ARM MOUNTS



26"-50" | 45KG | 400X400 | 64 - 434mm



WALL CEILING MOUNTS

A ceiling mount is recommended when wall mounting is not desired or is not an option, or as a space-saver for LCD/PDP TV.

Ceiling Mounts are the perfect means of displaying a television in a large or crowded room. Sometimes there simply isn't enough wall space or walls are too far away to wall-mount a television. These products, also known as adjustable plasma brackets, not only save floor area, but they save wall space too! Plasma ceiling mounts are ideal for busy or crowded bars, restaurants, business or hotel lobbies and more!

CM02

WALL CEILING MOUNTS



30"-50"



30KG



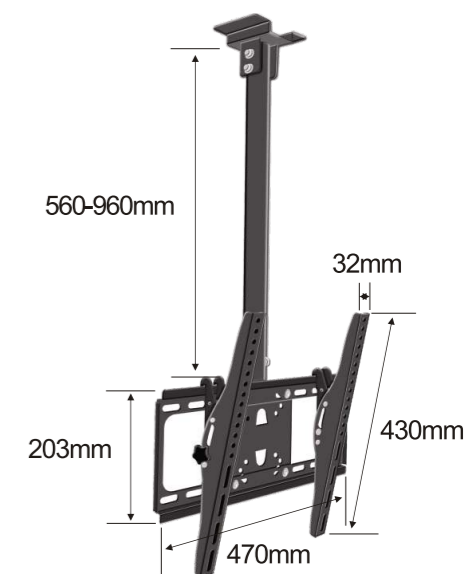
600X400



±15°



560-960mm



GENIUS INTERNATIONAL GROUP BRANDS



G E N I U S

CM03

WALL CEILING MOUNTS



30"-50"



30KG



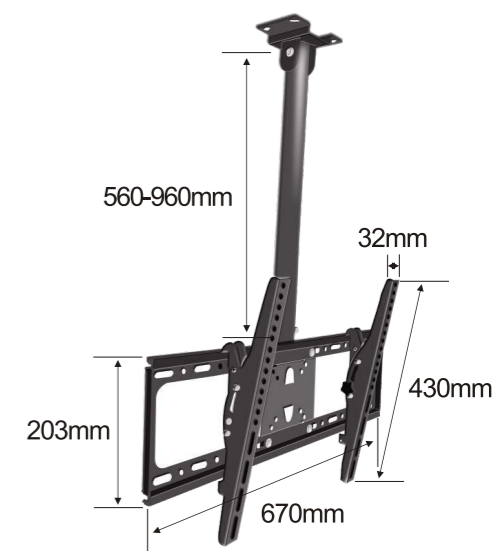
400X400



±15°



560-960mm



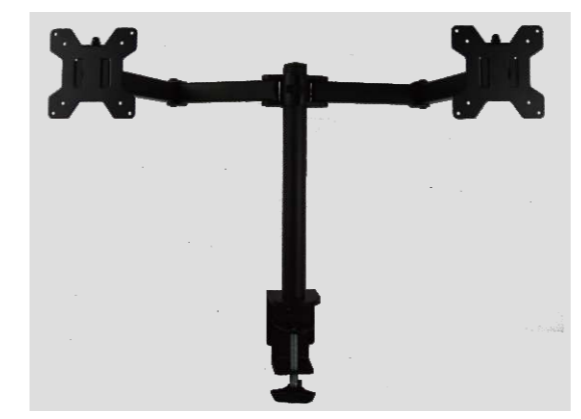
GENIUS INTERNATIONAL GROUP BRANDS



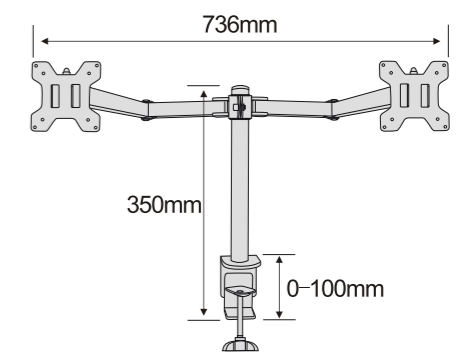
G E N I U S



DM24D ACCESSORIES



10"-27"
 9.9KG
 (单个臂膀)
 VESA
 100X100
 75X75

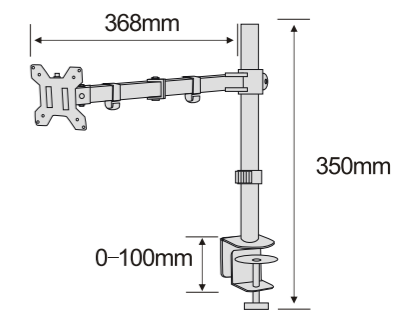


G E N I U S

DM24S ACCESSORIES



13"-27"
 9.9KG
 VESA
 100X100
 +15°

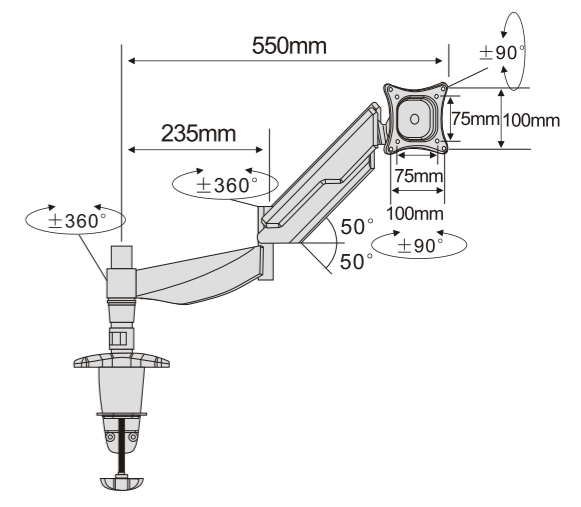


G E N I U S

DM27AG ACCESSORIES



13"-30"
 2- 6.5KG
 VESA
 100X100
 75X75
 -85°
 +15°
 STRONG



G E N I U S

ACCESSORIES

In this category, we did create kinds of new products , to meet the final consumers' needs, like mounts for Projectors, shelves for DVD/DVB or Receivers, mounting solutions for IPAD or Mobile phone at actual using situation and HDMI cables. Varied universal solutions for making conveniences for the consumers using in cars, indoors, or outdoors. Simple installation, and Genius' strict quality control turn our products into valuable accessories for what you need.

PM01 ACCESSORIES



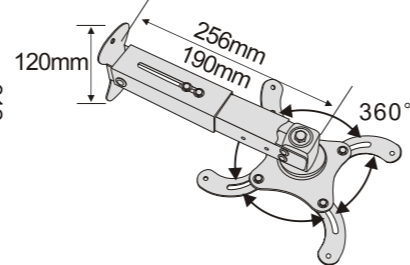
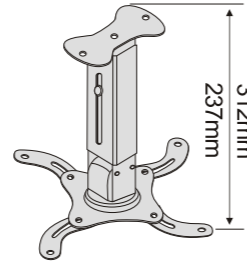
10KG



±20°



256mm



GENIUS
INTERNATIONAL
GROUP
BRANDS



G E N I U S

GMSS02 ACCESSORIES



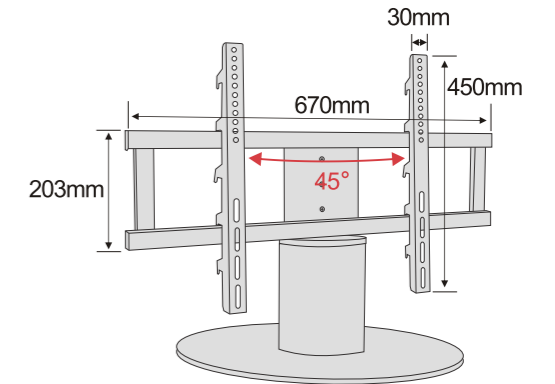
40"-60"



35KG



400X400

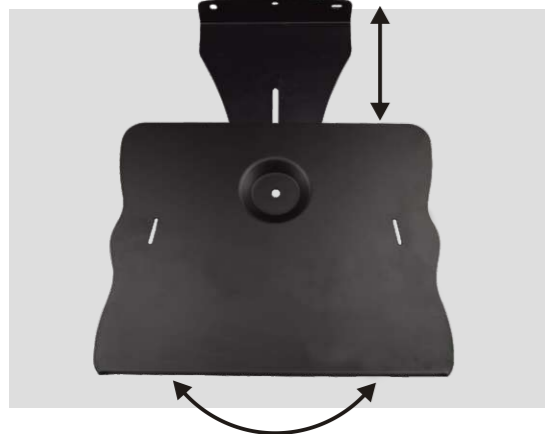


GENIUS
INTERNATIONAL
GROUP
BRANDS



G E N I U S

D01 ACCESSORIES



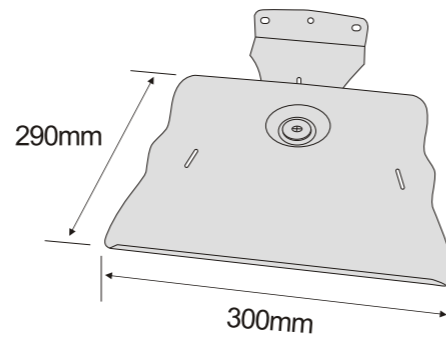
15KG

SIZE

300X290



50-100mm



GENIUS
INTERNATIONAL
GROUP
BRANDS

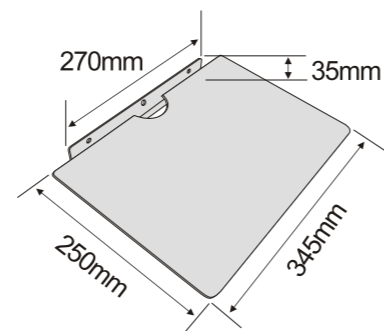


G E N I U S

D02 ACCESSORIES



10KG



GENIUS
INTERNATIONAL
GROUP
BRANDS



G E N I U S

NOTE
